



嘉善华承无油轴承有限公司

**JIASHAN HUACHENG**  
**OILLESS BEARING**

为全球工业提供各种自润滑轴承解决方案

## Your Partner for Self-lubricating Bearing Application

嘉善华承无油轴承有限公司地处于长三角地区的嘉善县干窑镇，环境优美，交通便利。公司长期致力于无油自润滑轴承和实体浇铸铜套的开发与设计，目前公司主要产品有：SF无油润滑轴承、JF双金属轴承、FB青铜轴承、JDB镶嵌固体润滑轴承等16个系列产品，已在高温、高速等多种场合进行了使用。公司拥有一支高素质、强劲的技术队伍和齐全、精良的机械加工设备，配备有精密检验和试验设备，产品具有较强的市场竞争能力。配备有使产品质量得到有效保证各类加工和检测设备，同时提供了一流的售后服务，深受客户好评与信赖。

我们将本着“质量第一、诚信为本”的经营理念，在以后的发展历程中一如既往的为您提供优质的产品和完善的售后服务。

JIASHAN HUACHENG OILLESS BEARING CO., CTD. is located in Jiashan, Zhejiang Yangtze River Delta, which is of Beautiful environment, convenient transportation. We have been committed to design of oilless bushing and solid bronze production. At present our main products are related to 16 series, such as SF Boundary bushing, JF Bi-metal bushing, FB wrapped bronze bushing as well as JDB bronze bushing with graphite plugged-in, which are used in high-temperature and speed conditions. Our company is equipped with quality technicians' team, well-equipped production and inspection facilities. The products are of competitive pricing and high quality. We offer best service and being trustful supplier.

We promise to be in the "quality first, integrity-based" business philosophy, in the future course of development, as always, to provide you with quality products and perfect after-sales service.

## FZ 直线轴承 FZ Ball Retainer Bearing

### 产品简介 Intruduction

FZH (铜基)、FZL (铝基)、FZP (树脂基) 钢球保持圈, 分别以铜合金、硬铝合金、POM树脂为基体, 并在其外圆表面上, 加工出排列有序、大小适当, 形状特殊的孔穴, 在其孔穴中镶入滚动轴承钢球。口采用最新的沟槽圆周锁球工艺, 有效地解决了传统式锁球和压痕式锁球不能完全防止钢球脱落的难题。孔底加工出90° 止口使钢球在孔内自由转动而不脱落。由于钢球的直径大于保持圈的壁厚, 所以在使用时钢球高出保持圈内、外圆表面, 直接与相配的孔与轴接触, 使基体(保持圈)浮于中间, 并且相配的孔与轴半径之差小于钢球直径, 即钢球与之配合为过盈配合, 配合精度高, 轴与孔相对运动灵活。是保持圈的更新换代产品。

FZH. FZL. FZP. ball retainer are as copper, aluminium, POM base. they are machined some regular holes and embedded the steel-ball into. The new work-craft will prevent the ball getting out of as old. as the ball diameter is larger than the retainer s thickness, so it will face to face directly with 90° guide bushing, that will bring high precision match now the ball retainer series items are designed to rotate on the post, as well as maintaintis vertical motion. we believe this will give you the benefit of increasing accijracy.

### 优点与用途 Advantages and Application

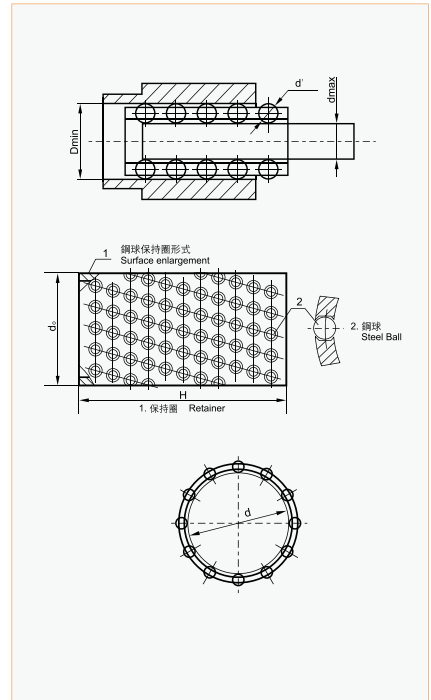
传统的具有相对运动的孔与轴是有一定间隙的, 并孔与轴之间运动摩擦系数较大, 使用钢球保持圈后, 使轴与孔不直接接触, 而是通过中间微量过盈的钢球, 因而运动精度高, 滚动摩擦代替滑动摩擦, 滚动灵活, 摩擦系数小, 使用寿命长, 在既有转动、又有移动的场所, 用无油或加油的轴套与轴相配合, 虽然能满足, 但运动精度较低, 用滚动轴承, 只能满足轴相对转动的场合, 而钢球保持圈, 则上述二个条件均得到满足, 目前已广泛应用于冷冲模滚动模架、高精度机床、机床附件以及要求高精度轴向或轴径向同时运动场合。

As the traditional work-craft has some grudge between bushing with posts, and the coefficient of friction is larger. now we have changed the work-ways to steel-ball directly face to face guide bushing, so the precision is improved. it composes of both active roll and lower friction coefficient, now they have been widely used in punching machine, die machine, high precision machine which need rotation and vertical motion.

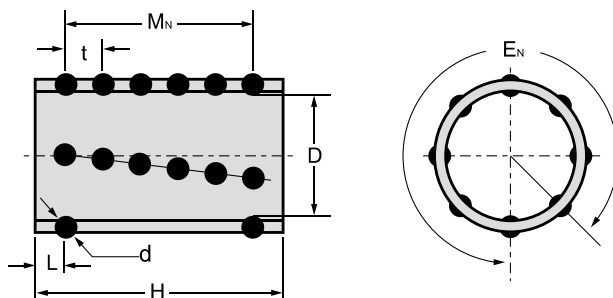
### 相配零件的要求 Requirements for Installed Components

- 1.导套: 材料GCr15、YB9, 热处理, 硬度HRC62~66, 技术条件按GB/T12446与轴配合应具有0.01-0.02径向过盈量, 表面粗糙度为  $\sqrt{0.4}$
- 2.轴: 材料GCr15、YB9, 热处理, 硬度HRC62~66, 技术条件按GB/T12446, 轴的公差采用h5, 表面粗糙度为  $\sqrt{0.4}$
- 3.测量: 用通用的测量手段(气动量仪、外径千分尺、内径千分表等)测量轴导套和钢球的尺寸偏差值, 即可求出配合后的过盈量, 即 $Y_{max}=d_{max}+2d'-D_{min}$ , 要求过盈量为0.01-0.02mm

1. Guide bushing: material GCr15, YB9, heat treatment HRC62-66, technique condition according to GB/T12446. Request 0.01-0.02Mm the surface roughness is  $\sqrt{0.4}$
2. Guidie posts: matrial GRr15, TB9, heat treatment HRC62-66, the tolerance of shaft is h5, the surface roughness is  $\sqrt{0.4}$
- 3.Size test: it is tested by outside micrometer & dial gauge as usual. The  $y_{max}$  ( $y_{max}+2d'-d_{min}$ ) request 0.01-0.02Mm



## FZ 直线轴承 FZ Ball Retainer Bearing



单位Unit: mm

Model	D	H	d	E <sub>N</sub>	M <sub>N</sub>	Balls	t	L
FZ(X)-1950	19	50	3	12	8	96	5.5	5.75
FZ(X)-1960	19	60	3	12	10	120	5.5	5.25
FZ(X)-2050	20	50	3	12	8	96	5.5	5.75
FZ(X)-2060	20	60	3	12	10	120	5.5	5.25
FZ(X)-2250	22	50	3	14	8	112	5.5	5.75
FZ(X)-2260	22	60	3	14	10	140	5.5	5.25
FZ(X)-2360	23	60	3	14	10	140	5.5	5.25
FZ(X)-2475	24	75	3	16	13	208	5.45	4.8
FZ(X)-2550	25	50	3	16	8	128	5.5	5.75
FZ(X)-2560	25	60	3	16	10	160	5.5	5.25
FZ(X)-2575	25	75	3	16	13	208	5.45	4.8
FZ(X)-2775	27	75	3	16	13	208	5.45	4.8
FZ(X)-2860	28	60	4	14	8	112	6.5	7.25
FZ(X)-2875	28	75	4	14	11	154	6.5	5.0
FZ(X)-3060	30	60	4	14	8	112	6.5	7.25
FZ(X)-3075	30	75	4	14	11	154	6.5	5.0
FZ(X)-3260	32	60	4	16	8	128	6.5	7.25
FZ(X)-3275	32	75	4	16	11	176	6.5	5.0
FZ(X)-3290	32	90	4	16	13	208	6.5	6.0
FZ(X)-3685	36	85	4	16	12	192	6.5	6.75
FZ(X)-3690	36	90	4	16	13	208	6.5	6.0
FZ(X)-3870	38	70	5	16	8	128	8.0	7.0
FZ(X)-3890	38	90	5	16	11	176	7.9	5.5
FZ(X)-4090	40	90	5	16	11	176	7.9	5.5
FZ(X)-4590	45	90	5	18	11	198	7.9	5.5
FZ(X)-45110	45	110	5	18	13	234	8.0	7.0
FZ(X)-5090	50	90	5	20	11	220	7.9	5.5
FZ(X)-50110	50	110	5	20	13	260	8.0	7.0
FZ(X)-6090	60	90	5	22	11	242	7.9	5.5
FZ(X)-60110	60	110	5	22	13	286	8.0	7.0
FZ(X)-80130	80	130	5	28	15	420	8.0	9.0



物流、港口机械  
Logistics, port machinery

能源设施  
Energy facilities



工程机械  
Engineering machinery



冶金行业  
Metallurgical Industry



## 嘉善华承无油轴承有限公司

地址 浙江嘉善县干窑镇干窑村小窑港 7 号西侧

邮编 314107

电话 0573-8499 5899

传真 0573-8499 3899

网站 [www.hcob-bearing.com](http://www.hcob-bearing.com)

邮箱 [jshc\\_zpy@163.com](mailto:jshc_zpy@163.com)

### **JIASHAN HUACHENG OILLESS BEARING CO., CTD.**

Add No.7 Xiaoyaogang, Ganyao Village, Ganyao Town,  
Jiashan County, Zhejiang Province, China. Code 314107

Tel +86-573-8499 5899

Fax +86-573-8499 3899

Web [www.hcob-bearing.com](http://www.hcob-bearing.com)

E-mail [jshc\\_zpy@163.com](mailto:jshc_zpy@163.com)

