



嘉善华承无油轴承有限公司

**JIASHAN HUACHENG**  
**OILLESS BEARING**

为全球工业提供各种自润滑轴承解决方案

## Your Partner for Self-lubricating Bearing Application

嘉善华承无油轴承有限公司地处于长三角地区的嘉善县干窑镇，环境优美，交通便利。公司长期致力于无油自润滑轴承和实体浇铸铜套的开发与设计，目前公司主要产品有：SF无油润滑轴承、JF双金属轴承、FB青铜轴承、JDB镶嵌固体润滑轴承等16个系列产品，已在高温、高速等多种场合进行了使用。公司拥有一支高素质、强劲的技术队伍和齐全、精良的机械加工设备，配备有精密检验和试验设备，产品具有较强的市场竞争能力。配备有使产品质量得到有效保证各类加工和检测设备，同时提供了一流的售后服务，深受客户好评与信赖。

我们将本着“质量第一、诚信为本”的经营理念，在以后的发展历程中一如既往的为您提供优质的产品和完善的售后服务。

JIASHAN HUACHENG OILLESS BEARING CO., CTD. is located in Jiashan, Zhejiang Yangtze River Delta, which is of Beautiful environment, convenient transportation. We have been committed to design of oilless bushing and solid bronze production. At present our main products are related to 16 series, such as SF Boundary bushing, JF Bi-metal bushing, FB wrapped bronze bushing as well as JDB bronze bushing with graphite plugged-in, which are used in high-temperature and speed conditions. Our company is equipped with quality technicians' team, well-equipped production and inspection facilities. The products are of competitive pricing and high quality. We offer best service and being trustful supplier.

We promise to be in the "quality first, integrity-based" business philosophy, in the future course of development, as always, to provide you with quality products and perfect after-sales service.

## JDB-1 固体润滑轴套

### JDB-1 Solid Lubricant-Inlaid Bushing

JDB-1 固体镶嵌轴套，是在高力黄铜的基体上，镶嵌石墨或  $\text{MoS}_2$  固体润滑剂的高性能固体润滑产品。它突破了一般轴承依靠油膜润滑的局限性。在使用过程中，通过摩擦热使固体润滑剂与轴摩擦，形成油、粉末并存润滑的优异条件，既保护轴不磨损，又使固体润滑特性永恒。它的硬度比一般铜套高一倍，耐磨性能也高一倍。目前已广泛运用于冶金连铸机，注塑机、列车支架、轧钢设备、矿山机械、船舶、气轮机等高温、高载、低速重载等场合使用。

JDB-1 solid lubricant embedded bushing is a new type made from strong brass and homogeneously embedded with solid lubricant in its body. It breaks through the limit of general bearing whose lubrication depends on oil film. So it is suitable for high temperature, heavy duty, anti-corrosion, or where oil is hard to be introduced. It's performance doubles both on hardness and wear-friction. It is now widely applied in successive casting machines, steel rollers in metallography, mineral machine, ships, steam turbine, hydraulic turbines and injection molding machines for plastics.



## JDB-2 固体润滑轴套

### JDB-2 Solid Lubricant-Inlaid Bushing

JDB-2 青铜镶嵌轴套，是以 5-5-5 青铜为基体，嵌入石墨或  $\text{MoS}_2$  为固体润滑剂的一种固体润滑产品。由于 5-5-5 青铜密度比高力黄铜高，所以在高温低载的场合，体现十分耐磨，目前已应用于壁炉门、烘炉滚道、橡胶机械、轻工机械、机床工业等低载、高温、中速的场合。

JDB-2 inlaid bronze bushings, is 5-5-5 bronze matrix, embedded in graphite or  $\text{MoS}_2$  solid lubricant as a solid lubricant. Due to high power density than brass bronze 5-5-5 high, so in the case of low load high temperature, reflecting very wearable, has been used in fireplace doors, oven raceway, rubber machinery, light industrial machinery, machine tools and other industrial low-load, high-temperature, medium-speed applications.



## JDB-3 铜钢浇铸轴套

### JDB-3 Steel and Bronze Embedded Bushing

JDB-3 铜钢镶嵌轴承，是在钢套的基体内，整体烧结锡青铜粉后嵌入固体润滑剂的固体润滑产品，除具有 JDB-2 的功能外，还能节省成本，提高抗压强度。它的端面可以与基体焊接安装使用，因此适用于冶金机械、建筑机械和输油机械等不可以加油的领域。

JDB-3 is made of two kinds of material, steel back sintered with CuSn6Zn6Pb3 powder as a Lining, then solid lubricant is embedded evenly in it. It is of cost effective and higher crash strength comparing with JDB-2 type, its ends can even be welded with machine part and assemble together. It is suitable for metallurgy machine, construction machine and where oil is hard to be employed. Base material: Bronze+CuSn6Zn6Pb3.



## JDB-4 铸铁镶嵌轴套

### JDB-4 Iron Embedded Bushing

JDB-4 铸铁镶嵌轴承，是以 HT250 为基材嵌入固体润滑剂的新产品，是一种典型的省材产品。若在压力  $<14.5\text{N/mm}^2$  时或机械性能要求不是很高的场合，可作 JDB-2 材料的取代品。能大大地降低成本，满足使用要求。例如：模具导柱、注塑机模架等领域完全可以使用。

Very good performance Under low load. Not suitable for middle or high load. A typical cost saving material. can substitute JDB-2 to be applied in the position without high requirements such as die guider, plastic injection machines etc.



## JDB-5 钢基镶嵌轴套

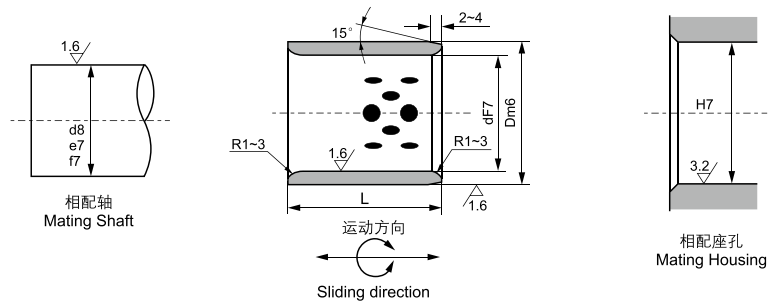
### JDB-5 Steel Embedded Bushing

JDB-5 钢基镶嵌轴承，是加强型产品，具有极高的抗压性能，在镶嵌石墨工作时排出润滑颗粒的情况下，使轴与套之间产生一层隔膜，起到了比单体油润滑抗咬合的优点。在起重机械的支撑部位特别适应。例：卷土机支撑、吊车支撑等，但不宜在水中或酸碱场合使用。

JDB-5 is reinforced product of JDB series. It is based steel GCr15 and embedded with solid lubricant. It is of high compress strength and particularly suitable of supporting position in hoisting machines, e.g. The support or stand of windlass and of crane. But it should not be applied in water or in acid/alkali circumstance. Can be used under low, middle and high load. Due to its superb high hardness, when under high load, it overperforms than other JDB type. Not suitable for water, acid, alkali circumstances. Most suitable for the supporting position of hoisting machine, e.g. bulldozer supporter, hoister supporter, reeling machine supporter etc.



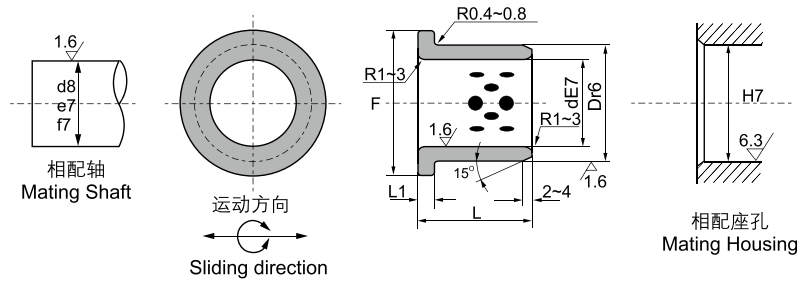
## JDB 自润滑直套轴承标准公制尺寸 JDB Self-lubricating Straight Bearings Standard Metric Size



单位Unit: mm

d	D	dF7	Dm6	L																
				12	15	16	20	25	30	35	40	50	60	70	80	100	120	130	140	
25	33	25 +0.041 +0.020	33 +0.025 +0.009	253312	253315	253316	253320	253325	253330	253335	253340	253350	253360							
30	38	30	●	303812	303815	303816	303820	303825	303830	303835	303840	303850	303860							
35	45	35 +0.050 +0.025	45	●			354520	354525	354530	354535	354540	354550	354560	354570						
40	50	40	●	50	●		405020	405025	405030	405035	405040	405050	405060	405070	405080					
45	55	45	●	55	●				506030	506035	506040	506050	506060	506070	506080					
50	62	50 +0.050 +0.025	62 +0.030 +0.011						506230	506235	506240	506250	506260	506270						
50	65	50	●	65	●				506530	506535	506540	506550	506560	506570	506580	5065100				
55	70	55 +0.060 +0.030	70	●					557030	557035	557040	557050	557060	557070	557080	5570100				
60	74	60	●	75	●				607430	607435	607440	607450	607460	607470	607480	6074100				
60	75	60	●	75	●				607530	607535	607540	607550	607560	607570	607580	6075100				
63	75	63	●	75	●					637535	637540	637550	637560	637570	637580	6375100				
65	80	65	●	80	●					658035	658040	658050	658060	658070	658080	6580100				
70	85	70	●	85 +0.035 +0.013						708535	708540	708550	708560	708570	708580	7085100				
70	90	70	●	90	●					709035	709040	709050	709060	709070	709080	7090100				
75	90	75	●	90	●						759040	759050	759060	759070	759080	7590100				
75	95	75	●	95	●						759540	759550	759560	759570	759580	7595100	7595120			
80	96	80	●	96	●						809640	809650	809660	809670	809680	8096100	8096120	8096130		
80	100	80	●	100	●						8010040	8010050	8010060	8010070	8010080	80100100	80100120	80100130	80100140	
90	110	90 +0.071 +0.036	110	●								9011050	9011060	9011070	9011080	90110100	90110120	90110130	90110140	

## JFB 自润滑翻边轴承标准公制尺寸 JFB Self-lubricating Flange Bearings Standard Metric Size



d	D	d E7	D r6	F	L <sub>1</sub>	L <sup>-0.10</sup> <sub>-0.30</sub>										
						15	20	25	30	35	40	50	60	80	100	
10	14	10 +0.040 +0.025	14	+0.034 +0.023	22	2	1015	1020								
12	18	12 +0.050 +0.032	18	●	25	3	1215	1220								
13	19	13 ●	19	+0.041 +0.028	26	●	1315	1320								
14	20	14 ●	20	●	27	●	1415	1420	1425							
15	21	15 ●	21	●	28	●	1515	1520	1525	1530						
16	22	16 ●	22	●	29	●	1615	1620	1625	1630						
20	30	20 +0.061 +0.040	30	●	40	5		2020	2025	2030	2035					
25	35	25 ●	35	+0.050 +0.034	45	●		2520	2525	2530	2535	2540				
30	40	30 ●	40	●	50	●		3020	3025	3030	3035	3040	3050			
35	45	35 +0.075 +0.050	45	●	60	●			3525	3530	3535	3540	3550			
40	50	40 ●	50	●	65	●				4030	4035	4040	4050			
45	55	45 ●	55	+0.060 +0.041	70	●				4530	4535	4540	4550	4560		
50	60	50 ●	60	●	75	●					5035	5040	5050	5060		
55	65	55 +0.090 +0.060	65	●	80	●						5540	5550	5560		
60	75	60 ●	75	+0.062 +0.043	90	7.5						6040	6050	6060	6080	
70	85	70 ●	85	+0.073 +0.051	105	●							7050	7060	7080	
75	90	75 ●	90	●	110	●							7550	7560	7580	75100
80	100	80 ●	100	●	120	10								8060	8080	80100
90	110	90 +0.107 +0.072	110	+0.076 +0.054	130	●								9060	9080	90100
100	120	100 ●	120	●	150	●								10060	10080	100100
120	140	120 ●	140	+0.088 +0.063	170	●								12060	12080	120100



物流、港口机械  
Logistics, port machinery

能源设施  
Energy facilities



工程机械  
Engineering machinery



冶金行业  
Metallurgical Industry



## 嘉善华承无油轴承有限公司

地址 浙江嘉善县干窑镇干窑村小窑港 7 号西侧

邮编 314107

电话 0573-8499 5899

传真 0573-8499 3899

网站 [www.hcob-bearing.com](http://www.hcob-bearing.com)

邮箱 [jshc\\_zpy@163.com](mailto:jshc_zpy@163.com)

## **JIASHAN HUACHENG OILLESS BEARING CO., CTD.**

Add No.7 Xiaoyaogang, Ganyao Village, Ganyao Town,  
Jiashan County, Zhejiang Province, China. Code 314107

Tel +86-573-8499 5899

Fax +86-573-8499 3899

Web [www.hcob-bearing.com](http://www.hcob-bearing.com)

E-mail [jshc\\_zpy@163.com](mailto:jshc_zpy@163.com)

